



Ricon Slide-Away™ PLATFORM LIFTS

The Slide-Away is a revolution in platform lift design, giving you strength and space in one easy to use package. When using the lift, the sliding second tower travels toward the front of the vehicle to provide the strength and stability only available in a dual post lift. When not in use, the sliding second tower travels towards the rear of the vehicle, leaving the side door unobstructed for able-bodied users and providing full use of the front passenger seat. The Slide-Away makes possible what you believed to be impossible.

ADVANTAGES:

- Provides unobstructed access through side cargo doors when lift is not in use
- Allows full use of front passenger seat
- Innovative dual post lift design
- Optional 800lb installation kits available for some applications
- Built in, easy-to-use, two step manual backup system

Imagine the possibilities





Fully stowed with clear side access



Sliding second tower



Dual post strength



Fully deployed



Full use of front passenger seat



Easy to use manual back-up



Innovative sliding base

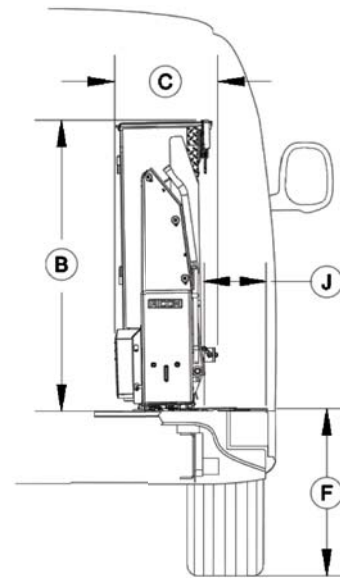
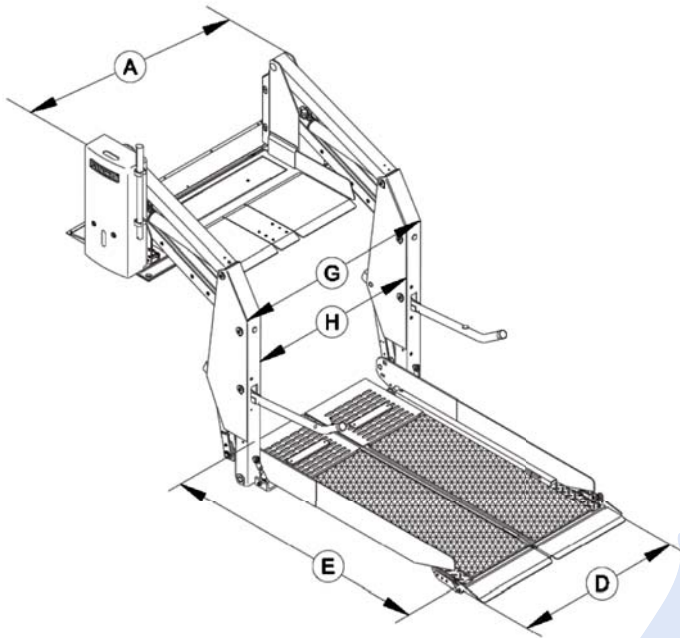


User-friendly pendant

SLIDE-AWAY PLATFORM LIFT

Power..... electro-hydraulic
 Motor rating @ 12 volts DC..... 65.0 amp. avg/cycle, 1250 psi
 Hydraulic cylinders..... 2 ea, 1.5", power-up/gravity-down

Rated load capacity..... 800 lbs***
 Manual backup (up)..... hand pump
 Manual backup (down)..... pressure release valve
 Lift weight..... 360-390 lbs



DIMENSIONS (inches)

	A	B	C	D	E	F	G	H	*I	**J
MODEL	Stationary frame width	Height (folded)	Installation depth (folded)	Usable platform width	Usable platform length	Floor-to-ground travel	Traveling frame width	Clear entry width	Stowed arms width	Installed depth
ST00	45.0	46.0	21.5	30.0	42.0	30.0	37.5	31.0	19.3 (max)	7.0
ST01	45.0	52.0	21.5	30.0	48.0	30.0	37.5	31.0	19.3 (max)	7.0

END OF TABLE

*Item "I" is not shown.

**Measurement for item "J" is taken from front edge of baseplate to door sill.

***Lift can be rated 800 lbs. with optional install kit.

Imagine the possibilities

