



Ricon Clearway™ PLATFORM LIFTS

The Clearway™ van is an innovative approach to lift technology; the exclusive split-platform folds vertically, allowing unobstructed access upon exit and entry whether or not the lift is deployed. The driver's line of sight is also unobstructed for optimum safety. Beyond intelligent design, there is also muscle. Our dual-power cylinders ensure smooth, reliable operation, even for heavy wheelchairs and scooters. In designing a lift that removes obstacles from your path, the future has never been more clear.

ADVANTAGES:

- All steel frame features convenient handrails for increased comfort and security
- Stable, non-skid platform with automatic inboard and outboard rollstops accommodate most wheelchairs and scooters
- Pre-lubricated bearings at all major pivot points offer long term durability
- Built in manual backup system
- High gloss, polyester powder coat finish resists corrosion

Imagine the possibilities

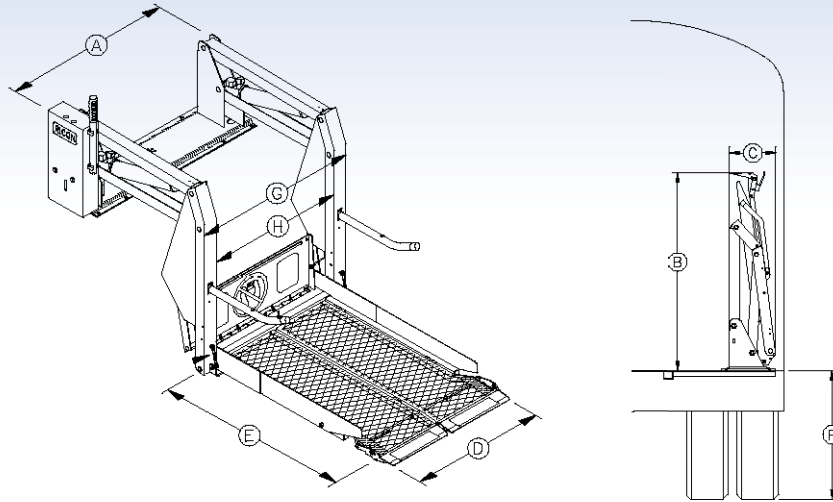


FOR MORE INFORMATION, VISIT VANTAGEMOBILITY.COM

Vantage Mobility International, LLC • 1-800-348-VANS (8267) • 5202 S. 28th Place, Phoenix, Arizona 85040-9915

S-SERIES PERSONAL USE WHEELCHAIR LIFT with SPLIT PLATFORM

Power electro-hydraulic Motor rating @ 12 volts DC 65.0 amp. avg/cycle, 1250 psi @ 24 volts DC 32.5 amp. avg/cycle, 1250 psi Hydraulic cylinders 2 ea, 1.5", power-up/gravity-down	Rated load capacity 800 lbs* Manual backup (up) hand pump Manual backup (down) pressure release valve Lift weight 300 - 325 lbs
---	--



DIMENSIONS (inches)

	A	B	C	D	E	F	G	H
MODEL	Stationary frame width	Height (folded)	Installation depth (folded)	Usable platform width	Usable platform length	Floor-to-ground travel	Traveling frame width	Clear entry width
S1132-P	41	40.5	19.5	26	38	27	33.5	27
S1133-P	45	40.5	21.5	30	38	27	37.5	31
S1230-P	45	46.5	21.5	30	48	31	37.5	31
S1231-P	45	44.5	21.5	30	42	31	37.5	31

* Lift can be rated 800 lbs. with optional install kit.

Imagine the possibilities

